



RADIUS
AEON

Aeon Valves

Products for Gas,
Water & Fire Protection

SEP2024

WHO WE ARE



Aeon is a worldwide manufacturer and supplier of innovative and technologically advanced valves and fittings for the water, wastewater, gas and fire protection markets. With operations strategically located in UK, Europe and Middle East, Aeon is in a position to satisfy market requirements through an extensive network.

With our valve technology and significant developments in our fitting products for water and natural gas applications, we became part of Radius Systems, a worldwide leader in the manufacturer of plastic pipes and fittings for the Water, Wastewater, and Gas.

QUALITY

Aeon operate from fully BSI Kitemarked ISO9001:2008 and ISO 14001 manufacturing premises which incorporate warehousing, assembly, testing and inspection facilities in accordance with international industry standards.

Our valve testing laboratories benefit from the latest technology, to allow us to carry out the complete range of hydraulic and pneumatic tests.



AEON IS A LEADING DESIGNER, MANUFACTURER AND WORLDWIDE SUPPLIER OF SMART VALVE SOLUTIONS FOR THE WATER, GAS AND FIRE PROTECTION MARKETS.

AEON is a registered trademark of Radius Systems



HIGH QUALITY ENGINEERED SOLUTIONS

Our next generation of OptiValve™ and OptiValve Plus™ have been specifically developed and engineered to offer a high quality and robust valve solution that meets our customer challenges. And using quality components and coatings in the production of our valves is key to ensure that they last a lifetime.

All our valves are extensively tested in our dedicated facilities, certified to ISO9001:2015 and ISO14001:2015, providing the assurance of a high performance and high quality product.

Our valves are approved to the most stringent specifications:
GIS/V7-2007
EN13774

Our valves are produced and tested in accordance with the following certifications:

DVGW (DIN 3352-5 PG2 and PG3)
PED 214/6/EU
INIG
KIWA-Gastec
Russia national Gas Certification
Australia national Gas Certification
Croatia national Gas Certification

Our valves are approved for Hydrogen use for all gas valve.



EMS 507217



539993
718127



2004/400



Valves & Fittings for water application

Valves & Fittings for water application



Resilient Seat Gate Valve

DN50 - DN1200
PN10 & PN16



Metal Seat Gate Valve

DN50 - DN2000
PN10 & PN16



Wafer Butterfly Valve

DN50 - DN600
PN10 & PN16



Tilting Disc Check Valve

DN200 - DN1600
PN10 & PN16



Pressure Relief Valve

DN50 - DN1000
PN10 & PN16



Pressure Reducing Valve

DN50 - DN1000
PN10 & PN16



Lugged Butterfly Valve

DN50 - DN600
PN10 & PN16



Flanged Butterfly Valve

DN50 - DN2000
PN10 & PN16



Double Eccentric Butterfly Valve

DN50 - DN2000
PN10 & PN16



Pressure Reducing & Sustaining Valve

DN50 - DN1000
PN10 & PN16



Modulating Float Control Valve

DN50 - DN1000
PN10 & PN16



Pump Control Valve

DN50 - DN1000
PN10 & PN16



Swing Check Valve

DN50 - DN1000
PN10 & PN16



Wafer Check Valve

DN50 - DN600
PN10 & PN16



Flexi Check Valve

DN50 - DN600
PN10 & PN16



Air Valve - Irrigation

DN50 - DN300
PN10 & PN16



Air Valve - Sewage

DN50 - DN300
PN10 & PN16



Automatic Air Vent Valve

DN15 - DN25
PN10 & PN16

For individual water valve approvals or if you cannot find the required valve size, please contact us at info.me@aeon-online.com

Valves & Fittings for water application



Double Regulating Valve
DN50 - DN600
PN10 & PN16



Basket Strainer
DN50 - DN1000
PN10 & PN16



Y Strainer
DN50 - DN600
PN10 & PN16



Dismantling Joint
DN50 - DN2000
PN10 & PN16



Universal Flange Adapter
DN50 - DN2000
PN10 & PN16



Universal Coupling
DN50 - DN2000
PN10 & PN16



Flange Adapter - Brass Grip
DN50 - DN300
PN10 & PN16



Single Sphere Expansion Joint
DN50 - DN600
PN10 & PN16



Double Sphere Expansion Joint
DN20 - DN600
PN10 & PN16

Valves & Fittings for water application



Silent Check Valve
DN50 - DN1000
PN10 & PN16



Flap Valve
DN50 - DN2000
PN10 & PN16



Double Sphere Union Type Expansion Joint
DN20 - DN65
PN10 & PN16

Accessories



Extension Spindle
For use in conjunction with Aeon Resilient Seated Gate valves, Type A & B, Water & Gas
DN40-DN600



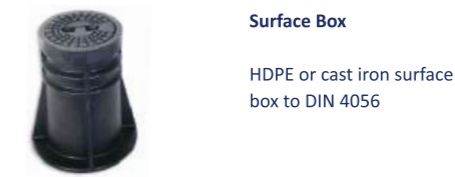
Handwheel kit for Type A & B Valves
DN50-DN600



Repair Clamp
DN32 - DN750
PN10 & PN16



Cap Top Kit for Resilient Seated Gate Valves BS, F4, F5
DN50-DN300



Surface Box
HDPE or cast iron surface box to DIN 4056



Support Tile
HDPE support tile for surface box



Gear Box

Valves for gas application



Resilient Seated Gate Valve

Type A
DN40-DN300
PN10 & PN16

Options:
BS-F4-F5
Double block & bleed



Resilient Seated Gate Valve Double block & bleed

Type B
DN50-DN300
PN10 & PN16

Options:
BS-F4-F5, ANSI



Construction Valve

Type A F4
DN40-DN300
PN16



PE Tail Gas Valve, PUR coated

Type A & B
DN50-DN300
PN10 & PN16



Resilient Seated Gate Valve with PE Tail

Type A
DN50-DN300
PN16



Resilient Seated Gate Valve, Metal Ended

Type A
DN50-DN300
PN10 & PN16



PE Gas Ball Valve

PE32 to PE180
SDR11, SDR17.6



Hydrants for fire protection



Fire hydrant - Type II
Diameter Range
DN80



Dry barrel fire hydrant
complies with ANSI /
AWWA C502



Vertical indicator post
Diameter Range -
DN65 to DN300



NRS Resilient Seated Gate Valve - Flanged ends
Diameter Range
DN65 to DN300



OS&Y Resilient Seated Gate Valve Flanged End
Diameter Range
DN65 to DN300



Swing check valve with flanged ends
Diameter range
DN65 to DN300



Air Valve
Diameter Range
DN25

What is AEON Smart?

Valve traceability and geolocation system

Developed by the Aeon team as a company traceability tool for our water & gas product range, the AEON Smart platform provides our Quality Management System administrators access to a whole range of data on components and testing regime for all our gas valves and complementary products.

Based on stored data, AEON Smart offers the additional benefit of asset management to the asset owner. The product can be identified using a mobile device (IOS, Android or Windows platform) by scanning the QR code or NFC chip (Near-field Communication chip) integrated with the valve available as an option. The test report certificates are available straight away on the mobile device.

The valve geolocation (where it is installed) can be registered by the customer or installer. Thanks to the integrated Google map / navigation system, the valve can be quickly located and operated, in the event of an emergency.

The key features of AEON Smart can be customised to fit your requirements with the app widely used for valve maintenance and asset management.



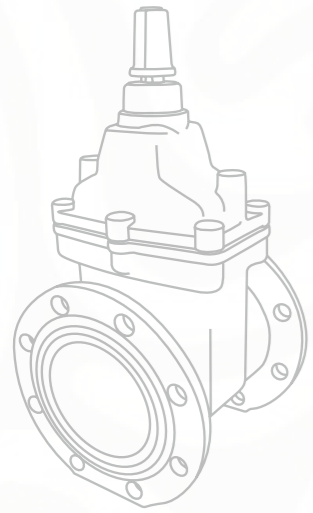
Electrofusion Fittings



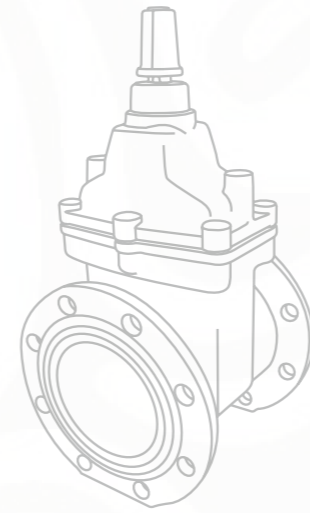
A technologically advanced solution

Designed for natural and suitable manufactured gases, drinking water and wastewater PE pipelines, our electrofusion fittings are made from high strength black PE100, with exposed wire technology offering maximum heat transfer and distribution during the welding process. For ease of installation, our socket fittings are manufactured with insertion stops to ensure the pipe is fully engaged into the fitting during assembly.

Notes



Notes





RADIUS AEON

AEON INTERNATIONAL GULF LLC

P.O. BOX 115069, Dubai Investment Park 1
Dubai, United Arab Emirates

T.+971(0)4 885 9225

F.+971(0)4 885 9224

E. info.me@aeon-online.com

AEON INTERNATIONAL (EUROPE) SP. Z.O. O.

64-500 Szamotuly
ul. Powstancow Wlkp. 97, Poland

T.+48 61 2932 307

F.+48 61 2932 375

E. info.eu@aeon-online.com

AEON, PART OF RADIUS SYSTEMS LTD

Radius House, Berristow Lane, South Normanton,
Alfreton, Derbyshire, DE55 2JJ, United Kingdom

T.+44 (0)1773 811112

E. info.uk@aeon-online.com

www.aeonvalves.com



DISTRIBUTOR'S STAMP

