

Swing Check Valve with Flanged Ends



AF05-300F

2" - 12"

300 PSI

Technical Details

Maximum Working Pressure PFA:

300 PSI / 20,7 bar for 2"-12"
200/250 PSI available on request

Working temperature:

42 °F to 180 °F (6 °C to 82 °C)

Construction complies to:

Complies with AWWA C508 Standard

Certification:

UL Listed and FM Approved

Connection:

Flanges to ANSI B16.1 Class 125
(other flange types available on request)

Coating:

300 µm FBE coating, external and internal to AWWA C550

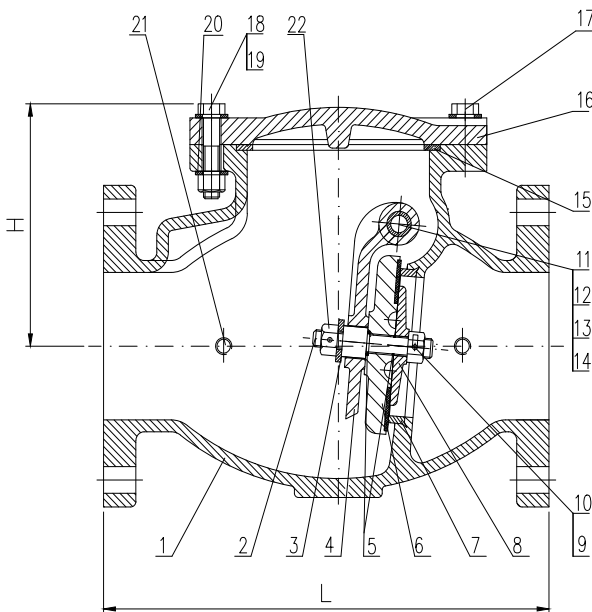
Application:

May be installed horizontally or vertically, for vertical installations, the flow must be in upward direction



Design features

- Seating type is resilient material to bronze seat construction
- Two test plugs included - installed on one side of valve body.



Material Specification

No	Part Name	Material - ASTM Specification
1	Body	Ductile Iron A536 65-45-12
2	Disc Retainer	Stainless Steel AISI 304
3	Hold Spacer	Stainless Steel AISI 304
4	Clapper Arm	Ductile Iron A536 65-45-12
5	O-ring	EPDM
6	Disc	Ductile Iron A536 65-45-12
7	Seat	Bronze B62 C83600
8	Plate	Ductile Iron A536 65-45-12
9	Disc Nut	Stainless Steel AISI 304
10	Pin	Stainless Steel AISI 304
11	Clapper Stem	Stainless Steel AISI 304
12	Shaft Sleeve	Brass
13	Plug	Stainless Steel AISI 304
14	Plug O-ring	EPDM
15	Gasket	EPDM
16	Bonnet	Ductile Iron A536 65-45-12
17	Bolt	Carbon Steel Gr 8.8, Zinc Plated
18	Bolt	Carbon Steel Gr 8.8, Zinc Plated
19	Nut	Carbon Steel Gr 8.8, Zinc Plated
20	Spacer	Carbon Steel Gr 8.8, Zinc Plated
21	Plug	Bronze B62 C83600
22	Nuts	Stainless Steel AISI 304

SIZE		50/2"	65/2,5"	80/3"	100/4"	125/5"	150/6"	200/8"	250/10"	300/12"
AF05		AM0275	AM0276	AM0277	AM0278	AM0279	AM0280	AM0281	AM0282	AM0283
L	[inch]	8	10	11	13	14	16	19-1/2	22	26
	[mm]	203	254	279	330	356	406	495	559	660
H	[inch]	5-3/16	5-11/16	5-7/8	6-7/8	11-3/4	11-13/16	13-7/8	15-9/16	17-1/2
	[mm]	132	145	150	175	298	300	352	395	445
Weight (kg)		11,5	13	17	25	40	50	58,3	218	282