

Vertical Indicator Post



AF03

2,5" - 12"

Technical Details

Certification:

UL Listed and FM Approved

Coating:

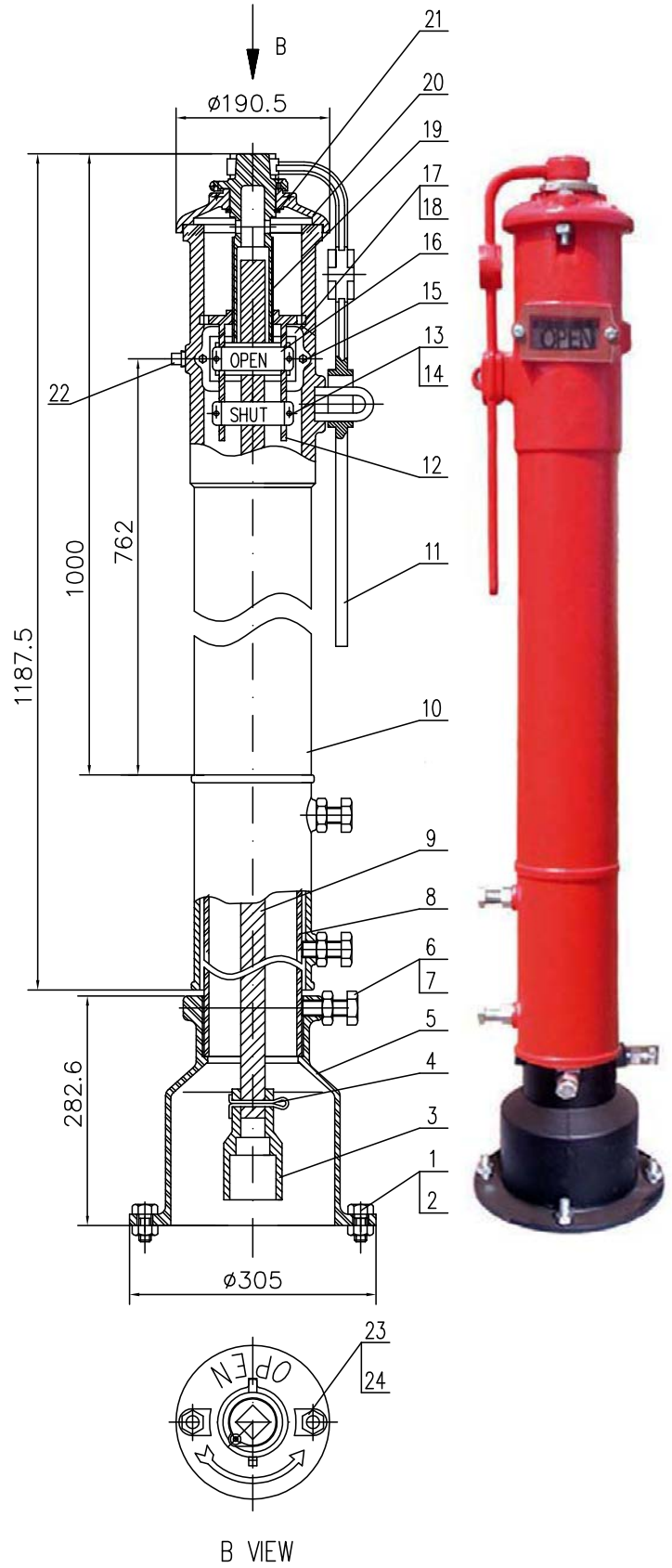
300 µm FBE coating, external and internal red spray epoxy, RAL 3000

Design features

- Indicates if the valve underneath is in the OPEN or SHUT position
- The indicator post provides a means of operating a buried or otherwise inaccessible valve
- The adjustment range of the indicator post is 34.5" to accommodate deeper buried valves and can be easily adjusted in the field
- The wrench handle fits over a "U" bracket on the barrel and may be fixed with a padlock to secure the operating wrench to the barrel
- Can be supplied in OPEN LEFT or OPEN RIGHT configurations from the factory, or the direction of opening can also be changed in the field.

Material Specification

No	Part Name	Material - ASTM Specification
1	Hex Cap Screw	Carbon Steel, ASTM A307B
2	Hex Nut	Carbon Steel, ASTM A307B
3	Crane Coupling	Ductile Iron ASTM A536 65-45-12
4	Cotter Pin	Stainless Steel AISI 304
5	Base Flange	Casr Iron ASTM A126 Class B
6	Hex Nut	Carbon Steel, ASTM A307B
7	Hex Cap Screw	Carbon Steel, ASTM A307B
8	Standpipe	Carbon Steel, ASTM A53
9	Stem 1 Square	Carbon Steel, AISI 1045
10	Body	Casr Iron ASTM A126 Class B
11	Locking Wrench	Ductile Iron ASTM A536 65-45-12
12	Target Carrier Nut	Bronze ASTM B62 C83600 Hex Cap Screw
13	Hex Cap Screw	Carbon Steel, ASTM A307B
14	Hex Nut	Carbon Steel, ASTM A307B
15	Hex Cap Screw	Carbon Steel, ASTM A307B
16	Target	Cast Aluminium
17	Window Glass	Plexiglass
18	Gasket	PTFE
19	Operating Nut	Bronze ASTM B62 C83600 Plug
20	Top Section	Casr Iron ASTM A126 Class B
21	Snap Ring	Stainless Steel, AISI 1066
22	Plug	Malleable Iron
23	Square Nut	Carbon Steel, ASTM A307B
24	Hex Cap Screw	Carbon Steel, ASTM A307B



SIZE	2,5" - 12"
AF03	AM0268
Weight (kg)	81